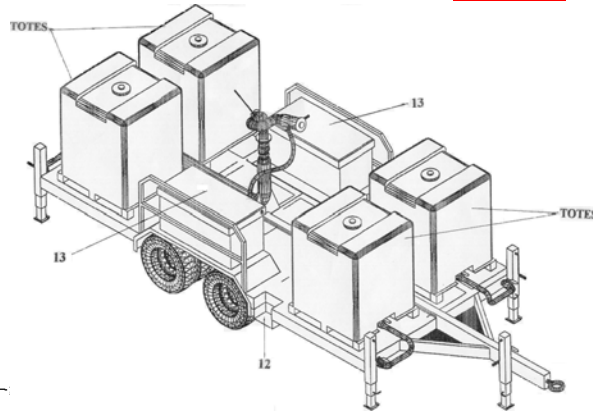
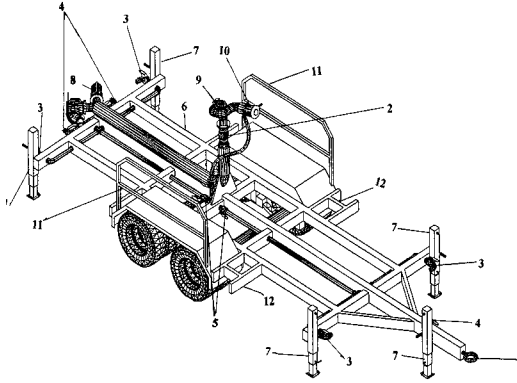


SPECIFICATIONS:

Tote Mule™ 401 Titan



NUMBERED DIAGRAM

1. **HITCH**– Pentle Coupling Configuration - *Holland Drawbar with Square Mounting Base DB-1250*; Forged steel eye welded to a 4 bolt mounting base 2 ½” I.D. eye with 1¼” x 1 ½” oval section. Weight 14 lbs.
7,000 lbs. Maximum Vertical (Tongue) Load
35,000 lbs. Maximum Gross Trailer Weight
2. **FOAM BLOCK VALVES** – For quick and easy conversion from foam to master stream operations
3. **FOAM DISCHARGE VALVES** - Placed on each 2” foam discharge for individual flow control
4. **FOAM DISCHARGES** – Two rear and one front mounted allows for foam supply or nursing operations
5. **ISOLATION BLOCK VALVES** – One on each side of the monitor under the deck with easy access doors which allows for individualized usage of either the two front or two rear totes
6. **FRAME** – I-Beam construction
7. **JACKS**- Four corner stabilizing jacks and one tongue mounted stabilizing jack (5 total)
8. **MANIFOLD** – Rear mounted with two 5 “ inlets. Optional choice of connector (storz or pipe fitting)
9. **MONITOR** – Sharpshooter 1500 gpm Hydro Flow; 2-wheel monitor with butterfly gate valve
10. **NOZZLE** –Williams 1500 gpm Ranger™ self-educating hydro foam automatic nozzle
11. **RAILS** – Side mounted
12. **SIDE STEPS** – Constructed of skid resistant deck plate
13. **STORAGE BINS** – (2) Locking 15 cu ft enclosed storage bins made of diamond-plated aluminum

ADDITIONAL FEATURES

- **AXLES** –Dexter Model D 100 heavy duty tandem with under-slung spring seats; Track Width - 80.25; Springs Center - 49.25

	Calculated Capacity	
Axle Capacity (each axle)	10,000 lbs.	(Excluding rims, wheels, and tires)
G.A.W.R. (each axle)	10,000 lbs.	(Including rims, wheels, and tires)
Entire Running Gear	20,000 lbs.	
- **BRAKES** – Optional choice of air, electric, or surge
- **DECKING** – Diamond-plated skid resistance 12 Ga. steel tread plate
- **FINISH** – Powder coated/red polyurethane resin
- **HARDWARE** - PN- HAP-103-00; single Hanger; HAP-203-02, 42.25” Spacing (QTY 1)
- **HUBS** – PN- 008-214-02 LH; Bolt Circle 8 on 6.5; Capacity 10,000# / pair; Description H & D, 5/8 Studs, Grease
PN– 008-214-02 RH
- **LIGHTING PACKAGE** – Optional, DOT available
- **20,000 GVW (optional 30,000 GVW)**
- **8’ – 1/2” Width**
- **24’ – 10 5/8” Length (401)**
- **2’ – 2” Tote Deck Height**
- **FOAM CAPACITY**- 1060 Gal. (four 265 gallon foam storage tanks) or Optional 2440 gallon (eight 305 gallon tote configuration)
- **SPRINGS**- PN- 072-043-01; Type - slipper; Width- 3.0; Length 30; Capacity- 5,000 # each
- **TIRES**- Size-LT23585R16BE-S; Load Range-E; Capacity - 3,042 # each @ 80psi; Dual Capacity - 2778 @ 80 psi
- **VALVES**- Apollo 70-100 Series
- **WHEELS** –PN-17-279-00; Duals; Size-16 x 6; Capacity -3,000 # each; Description - 8 on 6.5; @ 80 psi; 5.50 outset
- **HOSE BIN** – Optional Hose Bin which holds up to 100’ of large diameter hose
- **TIE-DOWNS** Ratchet type, meets DOT standard

HAYDEN AND COMPANY

www.ToteMule.com

2604-B West 83rd Street, Darien, IL 60561

Office: (630) 910-6244 Fax: (630) 910-6245